

**MOTOROLA
SEMICONDUCTOR**
TECHNICAL DATA

MC33285

**HIGH SIDE
TMOS DRIVER**
SILICON MONOLITHIC
INTEGRATED CIRCUIT

Product Preview

**Automotive Dual High
Side TMOS Driver**

The MC33285 is a dual high side TMOS driver designed for use in the harsh automotive switching applications.

The purpose of the MC33285 is to drive two power n-channel FETs in a high side application with an inductive load. The application in an automotive environment requires the capability of withstanding high voltages and load dump transients. The MC33285 is able to withstand reverse battery conditions at selected pins.

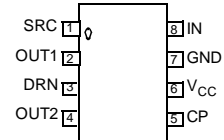
It protects the n-channel power FET on OUT1 under over current condition. This device has one input to control both stages on or off.

- Temperature Range from -40°C to +125°C
- PWM Capability
- Power TMOS # 1 Over-Current and Short-Circuit Protection
- Voltage Range 7V to 40V
- Extended Temperature Range from -40°C to 125°C
- Load Dump Protected
- Over Voltage Detection and Activation of OUT2 during Overvoltage
- Single Input Control for both Output Stages
- Capacitor Value of 100nF Connected to Pin CP
- Analog Input Control Measurement Detection
- OUT1 LOAD leakage measurement detection



D SUFFIX
PLASTIC PACKAGE
CASE 751-02
SO-8

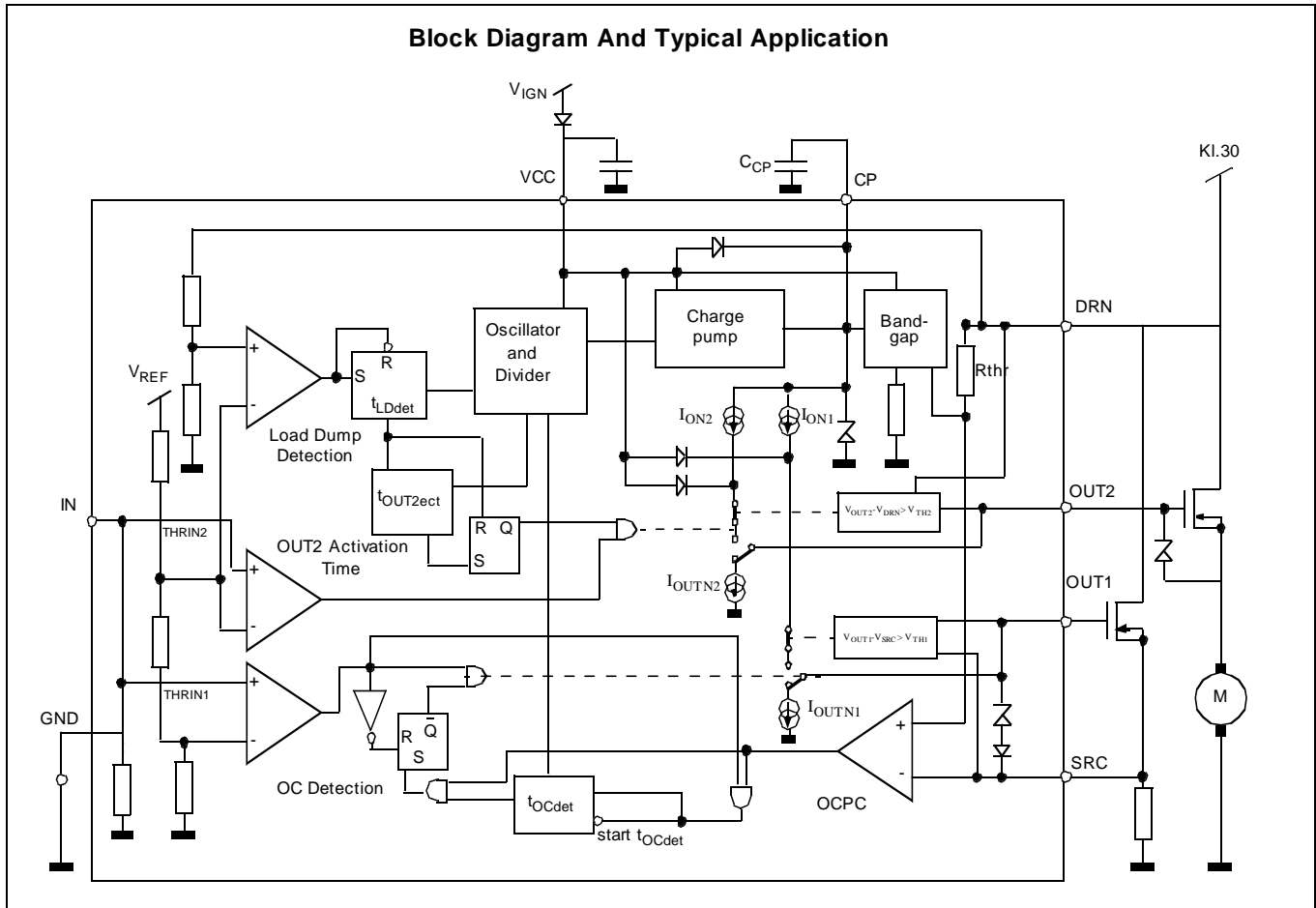
PIN CONNECTIONS



ORDERING INFORMATION

Device	Temperature Range	Package
MC33285D	-40°C to +125°C	SO8

Block Diagram And Typical Application



MAXIMUM RATING

Rating	Symbol	Value	Unit
Maximum voltage at pins OUT1 OUT2	V_{OUT}	$V_{VCC} + 20$	V
Maximum voltage at pin CP	V_{CP}	50	V
Input voltage V_i at DRN	V_{DRN}	-2 ; 40	V
Input voltage V_i at SRC	V_{SRC}	-5 ; 40	V
Input voltage at pin V_{CC}	V_{CC}	-2 to 40	V
Input Voltage at pin IN. Condition : $-2V < V_{VCC} < 40V$	V_{IN}	-2 to V_{VCC}	V
Operational voltage V_{VCC} at pin V_{CC}	V_{VCC}	7 to V_i	V

THERMAL RATINGS

Rating	Symbol	Value	Unit
Storage Temperature	T_{stg}	-40 to +150	°C
Operating ambient temperature	T_a	-40 to +125	°C

ELECTRICAL CHARACTERISTICS. (T_A from -40°C to +125°C, V_{CC} from 7V to 20V, unless otherwise noted)

Characteristic	Symbol	Min	Typ	Max	Unit
OVERVOLTAGE AND OVERCURRENT					
Load Dump Detection Time	t_{LDdet}	250	400	550	μs
Load Dump Activation Time	$t_{OUT2act}$	300	460	620	ms
Error Voltage Threshold	$V_{DRN} - V_{SRC}$	1.12		1.44	V
Overcurrent Detection Time	t_{OCdet}	520	800	1080	μs

SRC PIN 1

Leakage Current	I_{LCdet}	15	30	50	mA
Leakage Current Detection Time	t_{LCdet}	130	200	270	μs

DRN PIN 3

Operating Current ($7V < V_{DRN} < 20V$)	I_{DRN}			1.5	mA
Leakage current ($0V < V_{DRN} < 20V$, $V_{VCC} < 4V$)	I_{leak_DRN}	-5		5	μA

OUT1 PIN2, OUT 2 PIN 4

Output On Voltage. Charge Pump ON	V_{on}			$V_{CC}+15$	V
Turn off current, $V_{out} > 0.5V$	I_{outoff}	66	110	154	μA
Turn On Time, OUT1: 8nF, 10 μA ; OUT2: 16nF, 10 μA - $7V < V_{CC} < 10V$, $V_{out} > V_{CC}+7$ - $10V < V_{CC} < 20V$, $V_{out} > V_{CC}+11$	t_{on}			1.5 1.5	ms

VCC PIN 6

Supply Voltage Range	V_{CC}	7		40	V
Quiescent Supply Current at $V_{CC} = 20V$	I_{CC}			10	mA

IN PIN 8

Input Low Voltage OUT1	V_{il}			0.7	V
Input High Voltage OUT1	V_{ih}	1.7			V
Input Hysteresis OUT1, OUT2	V_{hys}	0.4			V
Input Pull Down Current, $0.7V < V_{in} < 6V$	I_{in}	7.5	15	16.5	μA
Open Input Voltage	V_{iop}			0.7	V
Input Low Voltage OUT2	V_{il2}			3	V
Input High Voltage OUT2	V_{ih2}	3.9			V

Turn On Characteristics

The power FETs are turned on by charging their gate capacities with a current flowing out of pin OUT1 and OUT2. During PWM, the values of table below are guaranteed. They are measured with 8nF on OUT1 and 16nF on OUT2.
 - test condition : V_{IN} : ramp 0V to 2.5V or 2.5V to 5V.

Figure 1. Turn-on Behaviour

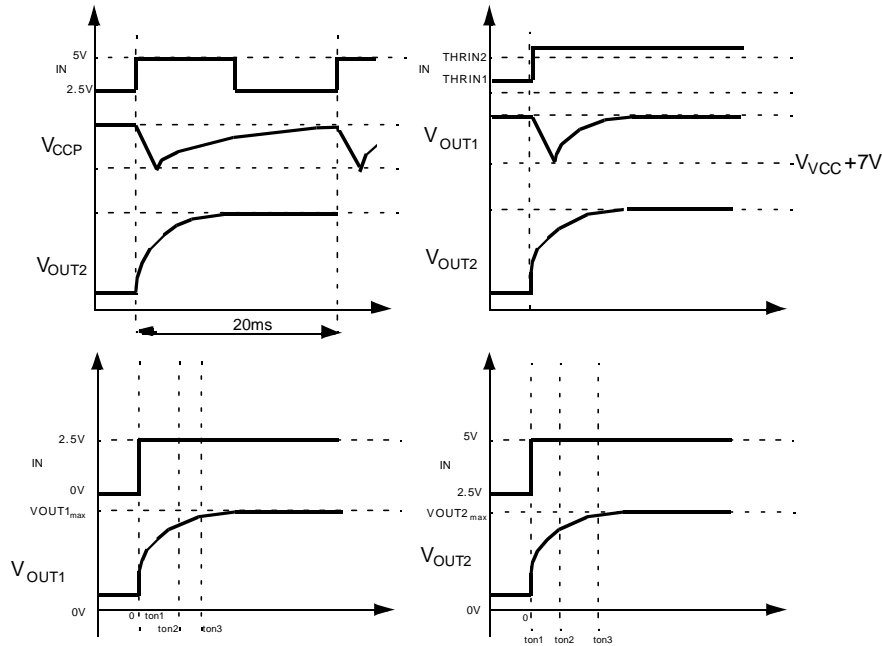


Table 1 Turn on behaviour

Voltage V_{VCC}	Minimum $V_{OUT1,OUT2}$ after $t_{on1} = 100\mu\text{sec}$	Minimum $V_{OUT1,OUT2}$ after $t_{on2} = 1.0\text{msec}$	Minimum $V_{OUT1,OUT2}$ after $t_{on3} = 1.5\text{msec}$
$7V < V_{VCC} < 10V$	$V_{VCC} - 0.7V$	$V_{VCC} + 5.95V$	$V_{VCC} + 7V$
$10V < V_{VCC} < 20V$	$V_{VCC} - 0.7V$	$V_{VCC} + 9.35V$	$V_{VCC} + 11V$
$20V < V_{VCC} < 40V$	$V_{VCC} - 0.7V$		

The output voltages at OUT1 and OUT2 are limited by controlling the current sources I_{on1} , I_{on2} to avoid current flowing through the external or the internal zener diode .

If $V_{cc} + V_{th}$ (threshold voltage) is reached , the current sources are turned off.

- threshold V_{TH1} for OUT1 output voltage control : $7V < V_{TH1} < V_z$
- threshold V_{TH2} for OUT2 output voltage control : $7V < V_{TH2} < 15V$

Turn off characteristics

The power FETs on OUT1 and OUT2 are turned off by discharging the gate capacity with the constant discharge current I_{OUToff} .

- discharge current $I_{OUTxoff}$: $I_{OUTxoff} = 110\mu A$

condition : $V_{OUTX} > 0.5V$ ($V_{IN} < V_{THRxin}$)

Test conditions for switching off the power FETs :

- 1. IN open
- 2. Stages disabled via pin IN
- 3. Stage OUT1 disabled by an over current error

FUNCTIONAL DESCRIPTION**Introduction**

The MC33285 contains only one charge pump for two outputs. The outputs OUT1 and OUT2 are switched on and off by the input IN. There are three ways to control the outputs: OUT1 can be switched alone, they can be switched together or OUT2 can be switched when OUT1 is already on. In the last case, the voltage drop on OUT1 when charging OUT2 is limited.

The external capacitor C_{CP} connected to pin CP is used to store the charge continuously delivered by the charge pump. The voltage on this pin is limited to a maximum value V_{CPmax} . Both outputs are sourced with a constant current from C_{CP} to switch them on. In addition, the gates of the power FETs are precharged from VCC to prevent C_{CP} from being discharged by a voltage on OUT1 or OUT2 which is still lower than V_{VCC} . The values of the output voltages are limited to $V_{OUT1max}$ and $V_{OUT2max}$.

The power FET on OUT1 is protected against an exceeded gate-source voltage by an internal zener diode.

Channel 1 allows to protect the n-channel power FET on OUT1 under over current condition. The drain-source voltage of the FET on OUT1 will be checked, if the channel 1 is switched on. The internal error voltage threshold determines the maximum drain-source voltage that allows the power FET to stay in the on state. If the measured drain-source voltage exceeds the internal error voltage threshold, the output of the Over Current Protection Comparator (OCPC) is enabled. If the output of the OCPC is active longer than t_{OCdet} , the output OUT1 is switched off.

After switching off the power FET on OUT1 by an over current condition, the power FET can only be turned on again by the input IN.

When switching off the power FETs their gate capacities are discharged by a constant current I_{OUToff} .

If the input IN is disconnected, the MC33285 outputs OUT1 and OUT2 are in the off state.

If overvoltage occurs on pin DRN for a time period longer than t_{LDdet} , then OUT2 is switched on for the time $t_{OUT2act}$. In overvoltage condition OUT1 is off if IN is below V_{ih} .

Internal Zener Diode

An on-chip zener diode is placed between OUT1 and SRC. Design guarantees that $V_Z > V_{TH1}$

- zener clamping voltage between OUT1 and SRC :
 $V_{TH1} < V_Z < 20V$

PWM capability

The CPIC2 is PWM capable on OUT2. The loss of charge on C_{cp} when switching on OUT2 is refreshed until the start of the next PWM cycle to a value which is sufficient to guarantee the specified turn on behaviour.

The PWM capability is measured with a test circuit and load conditions

- PWM cycle : period $T = 20ms$; OUT2 is switched on from 10% to 90% of T .

- Test condition : V_{IN} : ramps 2.5V to 5V according to PWM cycle defined above.

Crosstalk between OUT1 and OUT2

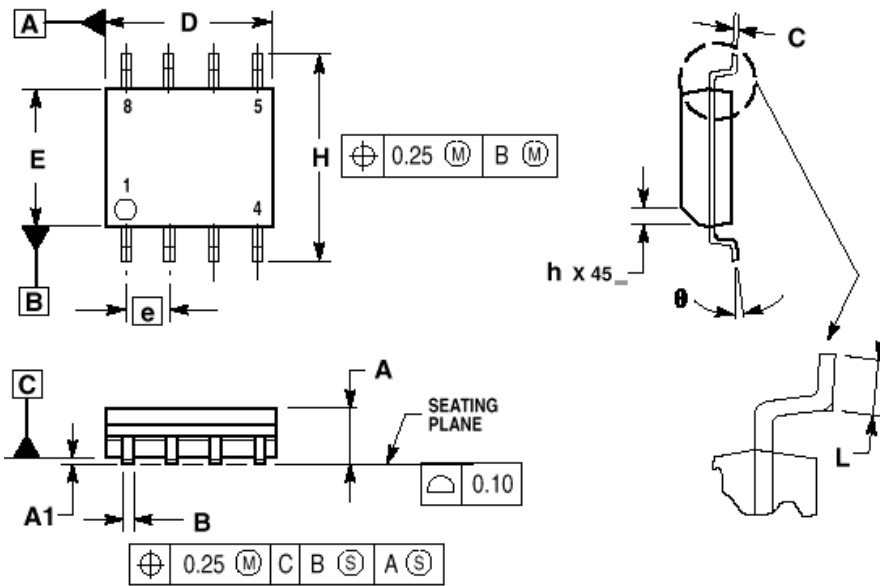
If output OUT2 is switched on while OUT1 is already on, the voltage drop that occurs on OUT1 is limited.

Voltage drop on OUT1 :

$10V < V_{VCC} < 20V$: OUT1 not below $V_{VCC} + 7V$

$7V < V_{VCC} < 20V$: OUT1 not below $V_{VCC} + 7V$

Each time OUT1 is switched on, a current I_{LCdet} is sourced out of pin SRC for the time t_{LCdet} to check if there is an external leakage current on that node in the application. The high side switch on OUT1 is turned on only if the test is successful."



NOTES:

1. DIMENSIONING AND TOLERANCING PER ASME Y14.5M, 1994.
2. DIMENSIONS ARE IN MILLIMETER.
3. DIMENSION D AND E DO NOT INCLUDE MOLD PROTRUSION.
4. MAXIMUM MOLD PROTRUSION 0.15 PER SIDE.
5. DIMENSION B DOES NOT INCLUDE DAMBAR PROTRUSION. ALLOWABLE DAMBAR PROTRUSION SHALL BE 0.127 TOTAL IN EXCESS OF THE B DIMENSION AT MAXIMUM MATERIAL CONDITION.

MILLIMETERS		
DIM	MIN	MAX
A	1.35	1.75
A1	0.10	0.25
B	0.35	0.49
C	0.19	0.25
D	4.80	5.00
E	3.80	4.00
e	1.27 BSC	
H	5.80	6.20
h	0.25	0.50
L	0.40	1.25
θ	0	7

Motorola reserves the right to make changes without further notice to any products herein to improve reliability, function or design. Motorola does not assume any liability arising out of the application or use of any product or circuit described herein ; neither does it convert any licence under its patent rights of others. Motorola products are not authorized for use as components in life support devices or systems intended for surgical implant into the body or intended to support or sustain life. Buyer agrees to notify Motorola of any such intended end use whereupon Motorola shall determine availability and suitability of its products for the use intended. Motorola and are registered trademarks of Motorola, Inc. Motorola, Inc. is an Equal Employment opportunity/Affirmative Action Employer.

SUNSTAR 商斯达实业集团是集研发、生产、工程、销售、代理经销、技术咨询、信息服务等为一体的高科技企业，是专业高科技电子产品生产厂家，是具有 10 多年历史的专业电子元器件供应商，是中国最早和最大的仓储式连锁规模经营大型综合电子零部件代理分销商之一，是一家专业代理和分销世界各大品牌 IC 芯片和电子元器件的连锁经营综合性国际公司，专业经营进口、国产名厂名牌电子元件，型号、种类齐全。在香港、北京、深圳、上海、西安、成都等全国主要电子市场设有直属分公司和产品展示展销窗口门市部专卖店及代理分销商，已在全国范围内建成强大统一的供货和代理分销网络。我们专业代理经销、开发生产电子元器件、集成电路、传感器、微波光电元器件、工控机/DOC/DOM 电子盘、专用电路、单片机开发、MCU/DSP/ARM/FPGA 软件硬件、二极管、三极管、模块等，是您可靠的一站式现货配套供应商、方案提供商、部件功能模块开发配套商。商斯达实业公司拥有庞大的资料库，有数位毕业于著名高校——有中国电子工业摇篮之称的西安电子科技大学（西军电）并长期从事国防尖端科技研究的高级工程师为您精挑细选、量身订做各种高科技电子元器件，并解决各种技术问题。

更多产品请看本公司产品专用销售网站：

商斯达中国传感器科技信息网：<http://www.sensor-ic.com/>

商斯达工控安防网：<http://www.pc-ps.net/>

商斯达电子元器件网：<http://www.sunstare.com/>

商斯达微波光电产品网：[HTTP://www.rfoe.net/](http://www.rfoe.net/)

商斯达消费电子产品网：<http://www.icasic.com/>

商斯达实业科技产品网：<http://www.sunstars.cn/>

传感器销售热线：

地址：深圳市福田区福华路福庆街鸿图大厦 1602 室

电话：0755-83370250 83376489 83376549 83607652 83370251 82500323

传真：0755-83376182 (0) 13902971329 MSN: SUNS8888@hotmail.com

邮编：518033 E-mail:szss20@163.com QQ: 195847376

深圳赛格展销部：深圳华强北路赛格电子市场 2583 号 电话：0755-83665529 25059422

技术支持：0755-83394033 13501568376

欢迎索取免费详细资料、设计指南和光盘；产品凡多，未能尽录，欢迎来电查询。

北京分公司：北京海淀区知春路 132 号中发电子大厦 3097 号

TEL: 010-81159046 82615020 13501189838 FAX: 010-62543996

上海分公司：上海市北京东路 668 号上海赛格电子市场 2B35 号

TEL: 021-28311762 56703037 13701955389 FAX: 021-56703037

西安分公司：西安高新开发区 20 所(中国电子科技集团导航技术研究所)

西安劳动南路 88 号电子商城二楼 D23 号

TEL: 029-81022619 13072977981 FAX:029-88789382